

FASTENER DATA

TOOL CHARACTERISTICS

HEIGHT	WIDTH	LENGTH	WEIGHT
310 mm.	92 mm.	345 mm.	2.250 Kg.
MIN-MAX WORKING PRESSURE		70 / 100 PSIG 5 / 7 BAR	
AIR CONSUMPTION PER SHOT		PERFORMANCES AT 90 psi (0.62 Mpa) 1.16 l.	
LUBRICANT		BCNZ617 500 ml.	

A) OUTSIDE CROWN	11.10 mm.
B) INSIDE CROWN	7.60 mm.
CxD) WIRE	1.40 x 1.60 mm.
L) LENGTH	25 - 50 mm.
MAGAZINE CAPACITY	155 staples

* ACTUATION SYSTEM	3/4 (SAFETY : FS/CT)
--------------------	----------------------

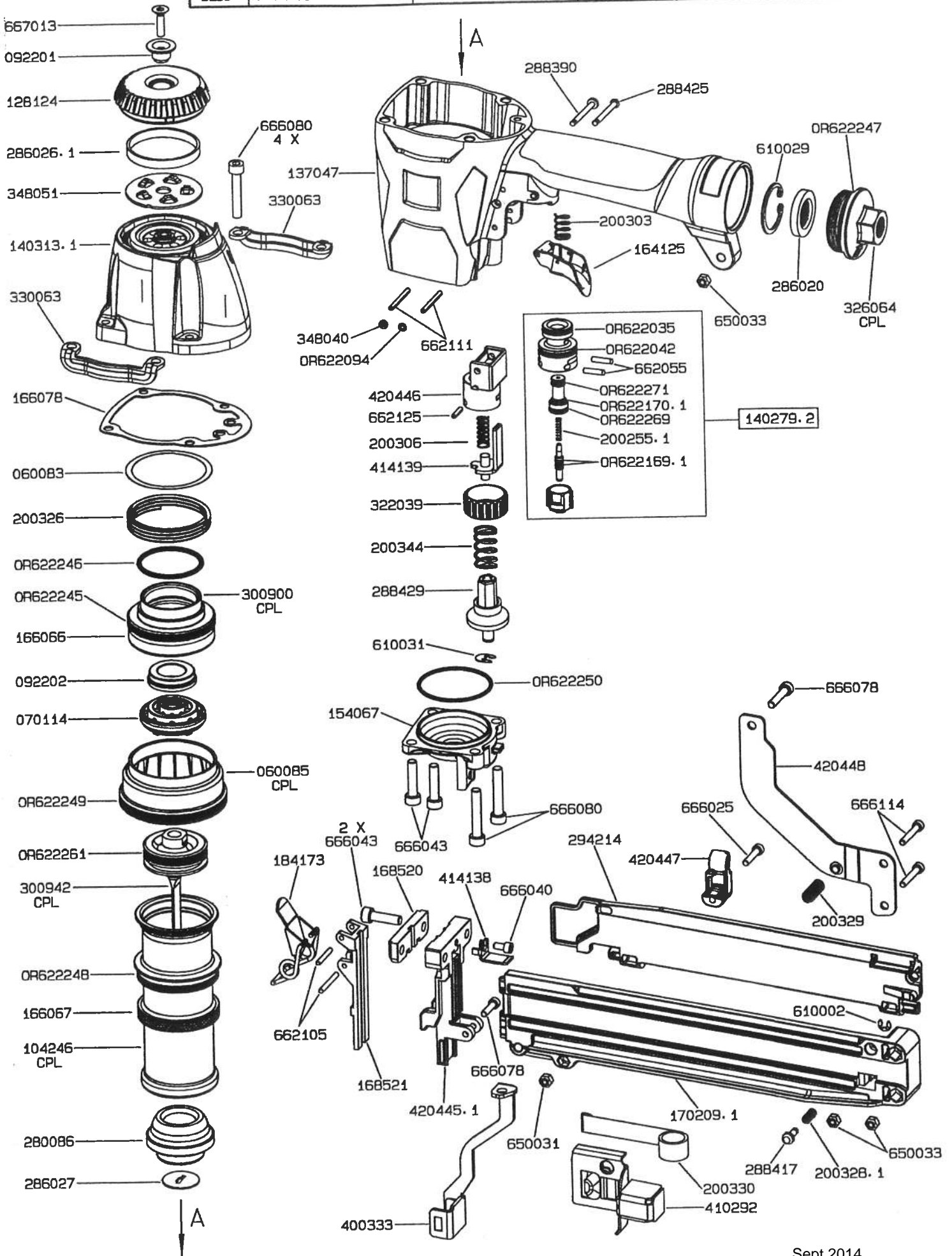
* LOADING	BOTTOM LOADING
	SIDE LOADING
	<input checked="" type="radio"/> TOP LOADING
	COIL
	OTHER

* SEE INSTRUCTION MANUAL

NOISE CHARACTERISTICS	EN 12549+A1:2008	$L_{WA,1s}$, : 92.02 dB(A) - $K_{WA,1s}$, 2.5
	EN ISO 4871:2009	$L_{pA,1s}$, : 81.50 dB(A) - $K_{pA,1s}$, 2.5

VIBRATION VALUE	UNI ISO/TS 8662-11	m/s^2 3.47
-----------------	-----------------------	--------------

ESP	MACHINE CODE	MACHINE CODE	MACHINE CODE	MACHINE CODE
0	11464			
DESC.	F44AC G-50 T/L			



Code	RSP	Qty	Description	Code	RSP	Qty	Description
000060083		1	RING	000622246	R	1	O-RING
000060085		1	RING	000622247	R	1	O-RING
000070114	R	1	BUFFER	000622248	R	1	O-RING
000092201		1	BUSH	000622249	R	1	O-RING
000092202		1	BUSH	000622250	R	1	O-RING
000104246		1	CYLINDER	000622261	R	1	O-RING
000128124		1	COVER	000622269	R	1	O-RING
000137047		1	BODY	000622271	R	1	O-RING
000140279.2		1	TRIGGER VALVE	000650031	R	1	NUT
000140313.1		1	CAP	000650033	R	3	NUT
000154067		1	ADAPTER	000662055	R	2	PIN
000164125		1	TRIGGER	000662105	R	2	PIN
000166066	R	1	GASKET	000662111	R	2	PIN
000166067	R	1	GASKET	000662125	R	1	PIN
000166078	R	1	GASKET	000666025	R	1	SCREW
000168520		1	PLATE	000666040	R	1	SCREW
000168521		1	PLATE	000666043	R	4	SCREW
000170209.1		1	RAIL	000666078	R	2	SCREW
000184173	R	1	CATCH	000666080	R	6	SCREW
000200255.1	R	1	SPRING	000666114	R	2	SCREW
000200303	R	1	SPRING	000667013	R	1	SCREW
000200306	R	1	SPRING				
000200326	R	1	SPRING				
000200328.1	R	1	SPRING				
000200329	R	1	SPRING				
000200330	R	1	SPRING				
000200344	R	1	SPRING				
000280086	R	1	BUMPER				
000286020		1	MUFFER				
000286026.1		1	MUFFLER				
000286027		1	BUSH				
000288390		1	PIN				
000288417		1	PIN				
000288425		1	PIN				
000288429		1	PIN				
000294214		1	PLATE				
000300900		1	PISTON				
000300942	R	1	DRIVER PISTON				
000322039		1	ADJUSTER				
000326064		1	ADAPTER				
000330063		2	PROTECTOR				
000348040		1	SPACER				
000348051		1	SPACER				
000400333	R	1	SAFETY				
000410292	R	1	PUSHER				
000414138		1	GUIDE				
000414139		1	SQUARE				
000420445.1		1	NOSEPIECE				
000420446		1	HOLDER				
000420447		1	HOLDER				
000420448		1	HOLDER				
000610002	R	1	STOP RING				
000610029	R	1	STOP RING				
000610031	R	1	STOP RING				
000622035	R	1	O-RING				
000622042	R	1	O-RING				
000622094	R	1	O-RING				
000622169.1	R	2	O-RING				
000622170.1	R	1	O-RING				
000622245	R	1	O-RING				

R=Recommended spare parts